

SHAFT TYPE

50S/NOC3

Model



Heavy Duty Model

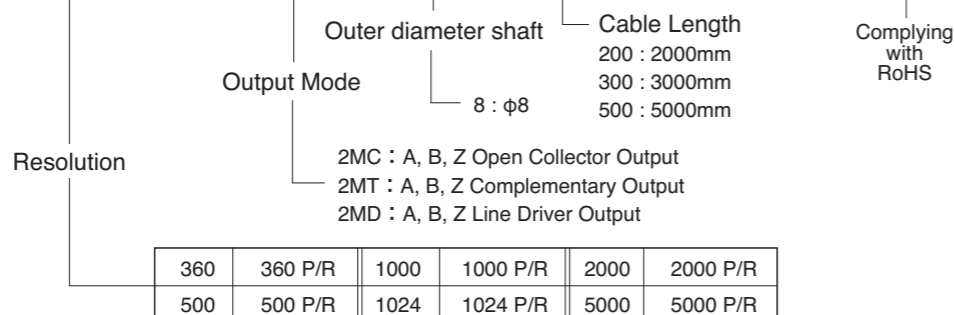
- Compact Sized Encoder with OD50mm x L33mm.
- High Specification Type with Up to 5000P/R.



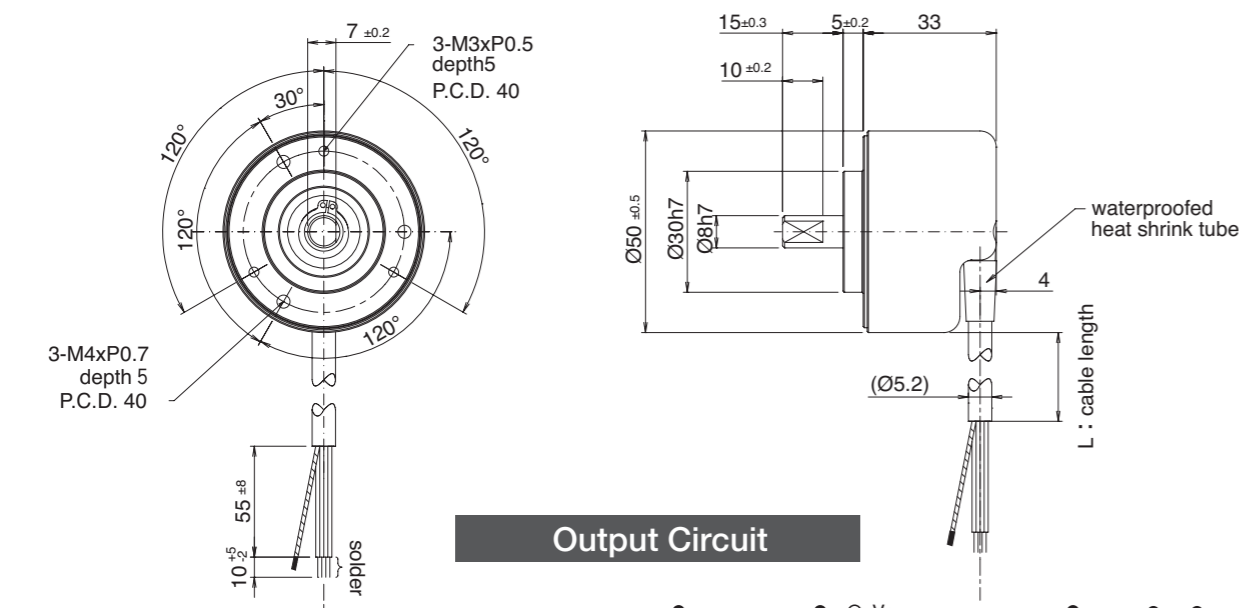
Model

50S - [] - [] - 8 - [] - [] - 00E

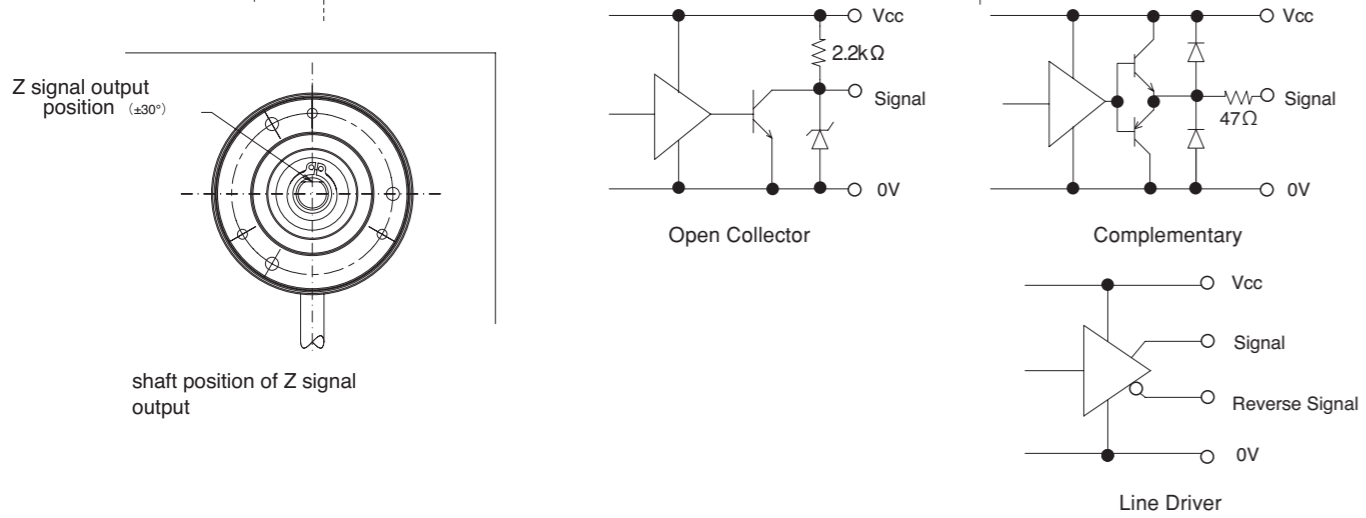
NOC3-SP



External Dimension



Output Circuit

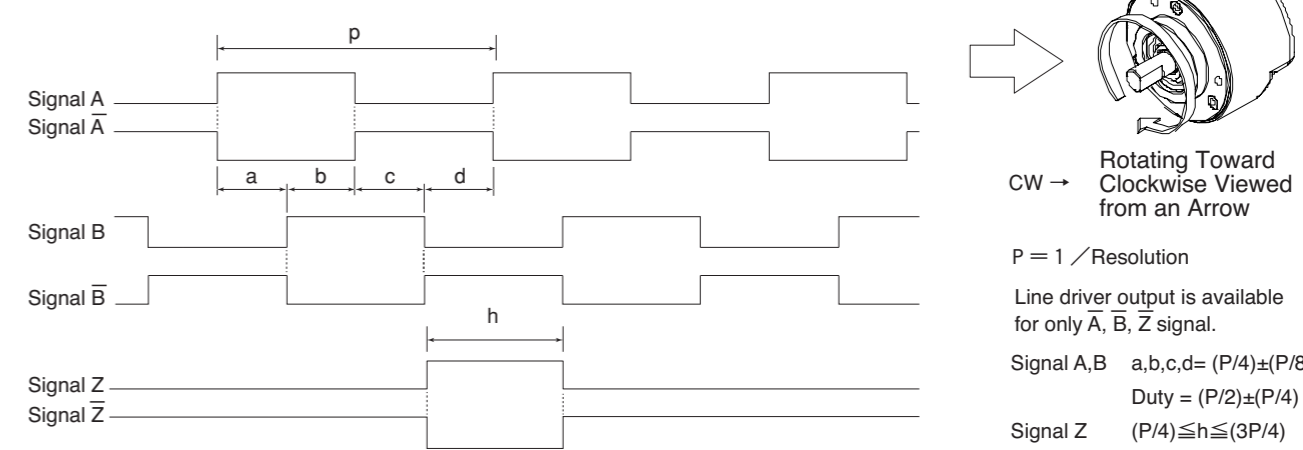


Electrical Spec

TYPE		2MC	2MT	2MD
Power Supply(Vcc)		DC 4.5 to 30V (Ripple 3% or less (P-P))		DC 4.5 to 5.5V (Ripple 3% or less (P-P))
Current Consumption		30mA Max	60mA Max	30mA Max
Output Voltage	"H"	-	Vcc - 3V Min	2.5V Min
	"L" *1	0.5V Max	3V Max	0.5V Max
Maximum Sink Current		40mA		20mA
Maximum Frequency Response	500P/R or less	120kHz		
	1000P/R or more	240kHz		
Rise & Fall Time		1 μs Max	200ns Max	100ns Max

*1) at Maximum Sink Current

Wave Form



Electrical Connections

Open Collector · Complementary		Line Driver	
Red	Vcc	Red	Vcc
Black	0V	Black	0V
Blue	Sig A	Green	Sig A
White	Sig B	Blue	Sig A
Yellow	Sig Z	White	Sig B
Shield	N.C	Gray	Sig B
-	-	Yellow	Sig Z
-	-	Orange	Sig Z
-	-	Shield	N.C

Mechanical Spec

Starting Torque	9.8×10 ⁻³ N·m Max(at 25°C)
Angular Acceleration	1×10 ⁵ rad·s ²
Shaft Loading	Thrust 49.0N
	Radial 78.4N
Moment of Inertia	8×10 ⁻⁷ kg·m ²
Maximum Permissible Speed	5000min ⁻¹
Net Weight	250g Max (Without Cable)

Environmental Spec

Operating Temperature	-10°C~+85°C
Storage Temperature	-30°C~+85°C
Humidity	RH 85% Max No Condensation
Vibration	10~55 Hz / 1.5mm X,Y,Z Each 2h
Shock	980m/s ² , 11ms X, Y, Z Each 3 times
Ingress Protection	IP65