

# MINIATURE TYPE

# 7S Model



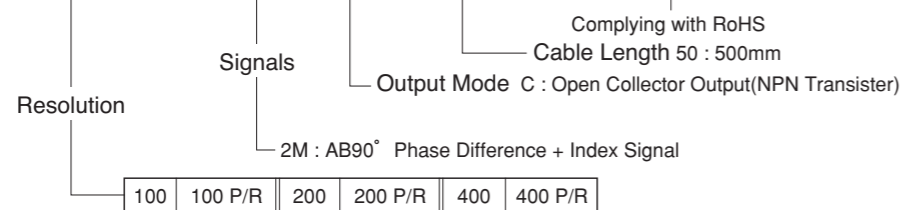
## Miniature Model

- Ultra Micro Encoer : OD7.2mm, Height10.5mm.
- High Resolution : Up to 400 resolution.

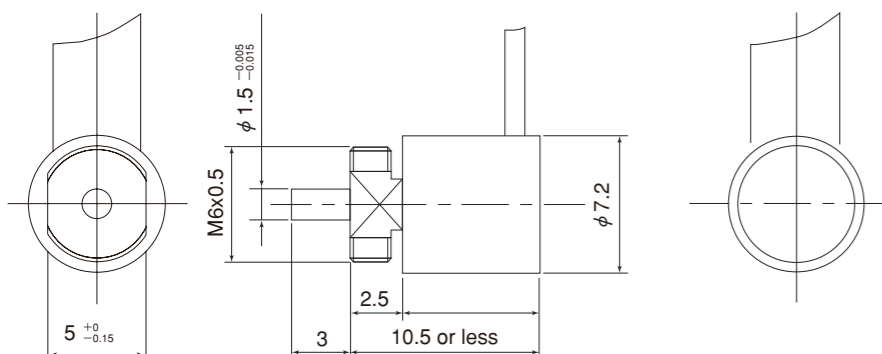


### Model

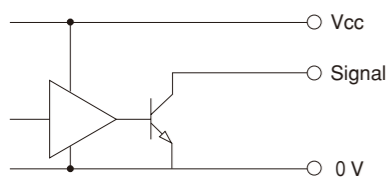
# 7S- [ ] [ ] -2MC-50-00E



### External Dimension



### Output Circuit



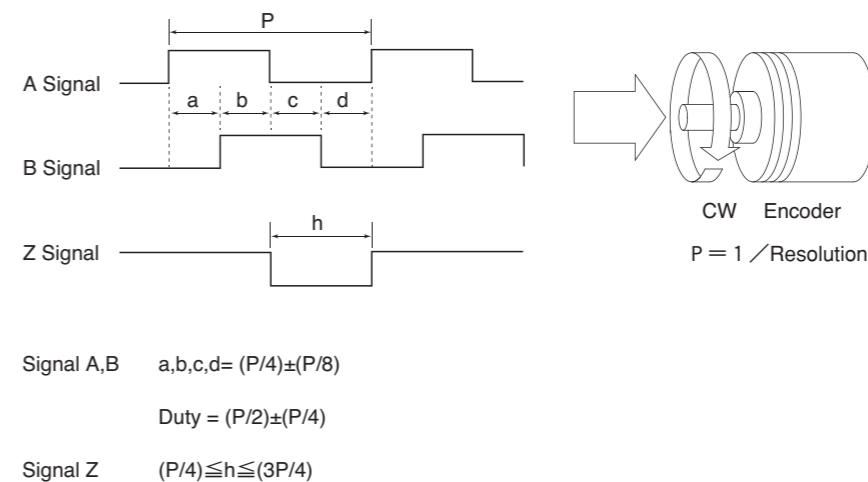
### Electrical Spec

Power Supply(Vcc)	DC 4.5 to 5.5V (Ripple 100mV(P-P))
Current Consumption	30mA Max
Output Mode	Open Collector
Output Voltage	[H] - [L] : 0.4V Max
Pull-up voltage	13.2V Max
Maximum Sink Current	20mA
Maximum Frequency Response	100kHz
Rise & Fall Time	1 μs Max

### Electrical Connections

No.	Color	Signal
1	Red	Vcc
2	White	0V
3	Blue	Sig B
4	White	Sig A
5	Blue	Sig Z

### Wave Form



### Mechanical Spec

Starting Torque	3.0x10 <sup>-4</sup> N·m Max	
Angular Acceleration	1x10 <sup>5</sup> rad/s <sup>2</sup>	
Shaft Loading	Thrust	0.98N
	Radial	1.90N
Moment of Inertia	1x10 <sup>-9</sup> kg·m <sup>2</sup>	
Maximum Permissible Speed	6000min <sup>-1</sup>	
Net Weight	5g Max (Without Cable)	

### Environmental Spec

Operating Temperature	-10°C~+80°C
Storage Temperature	-20°C~+80°C
Humidity	RH90% Max No Condensation
Vibration	55 Hz / 1.5mm X, Y, Z Each 2h
Shock	490m/s <sup>2</sup> X, Y, Z Each 3 times