

ABSOLUTE TYPE

AHS2 Model

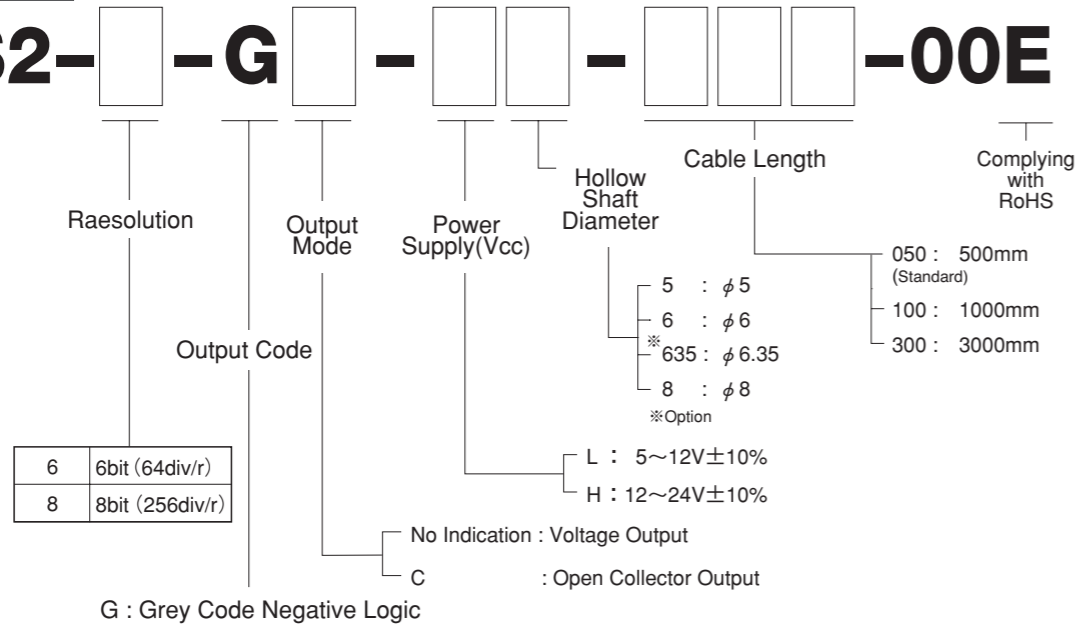


38 Series Hollow Shaft and Absolute Models

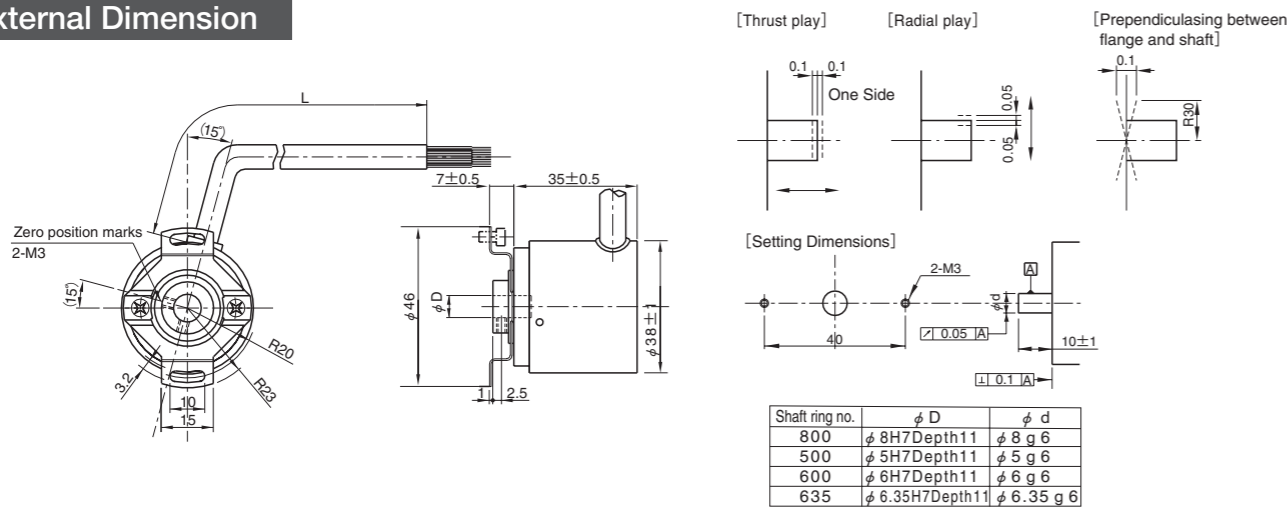
•8bit (256div/r) is Available with OD 38mm.



Model
AHS2- -G - - - -00E

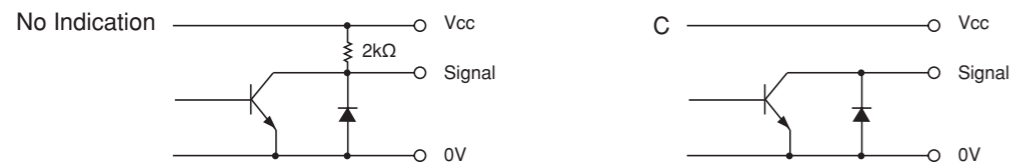


External Dimension



Shaft ring no.	φ D	φ d
800	φ 8H7Depth11	φ 8 g 6
500	φ 5H7Depth11	φ 5 g 6
600	φ 6H7Depth11	φ 6 g 6
635	φ 6.35H7Depth11	φ 6.35 g 6

Output Circuit



Electrical Spec

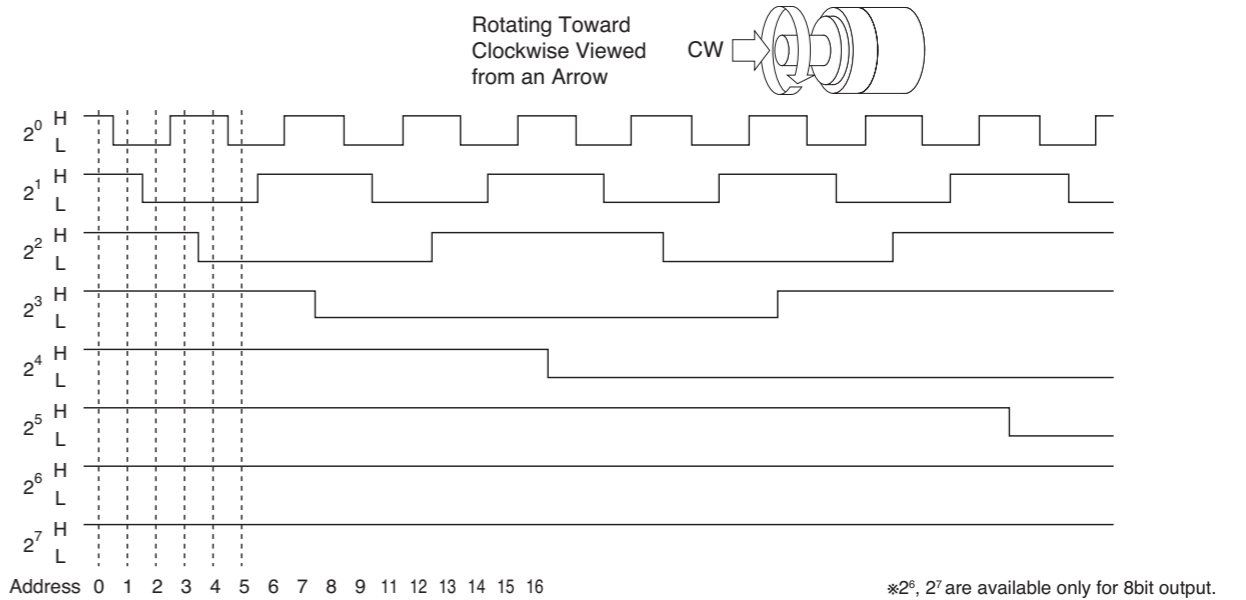
Power Supply(Vcc)	L : DC 4.5 ~ 13.2 V H : DC 10.8 ~ 26.4 V	
Current Consumption	100mA Max	
Output Voltage	"H"	Vcc-1V Min (Exclude C Mode)
	"L" ^{*1}	0.5 VMax
Maximum Sink Current	20 mA	
Rise & Fall Time	1 μs Max	
Maximum Frequency Response ^{*2}	5 kHz	

*1) at Maximum Sink Current *2) When The Loading is 5V 1KΩ

Electrical Connections

Color	Signal
Red	Power Supply(Vcc)
Black	0V
Brown	Signal 2 ⁰
Orange	Signal 2 ¹
Yellow	Signal 2 ²
Green	Signal 2 ³
Blue	Signal 2 ⁴
Purple	Signal 2 ⁵
Gray	Signal 2 ⁶ Only available for 8bit output
White	Signal 2 ⁷ Only available for 8bit output
Shield	F.G

Wave Form



Mechanical Spec

Starting Torque	9.8x10 ⁻⁴ N · m Max	
Angular Acceleration	1x10 ⁵ rad/s ²	
Shaft Loading	Thrust	9.8N
	Radial	29.4N
Moment of Inertia	8x10 ⁻⁷ kg·m ²	
Maximum Permissible Speed	6000min ⁻¹	
Net Weight(Without Cable)	120g Max	

Environmental Spec

Operating Temperature	-10°C~+55°C
Storage Temperature	-25°C~+80°C
Humidity	RH 85% Max No Condensation
Vibration	10~55 Hz / 1.5mm X,Y,Z Each 2h
Shock	490m/s ² , 11ms X, Y, Z Each 3 times
Ingress Protection	IP50