

HANDY PENDANT

HP-U Model



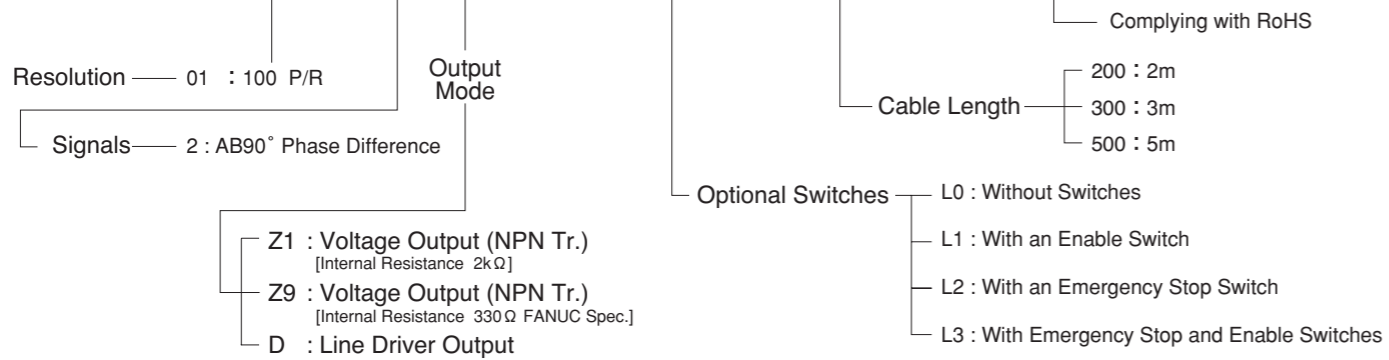
Economical Palm Size Model

- Low Cost Plastic Box Type.
- Comfortable Size for Hand.

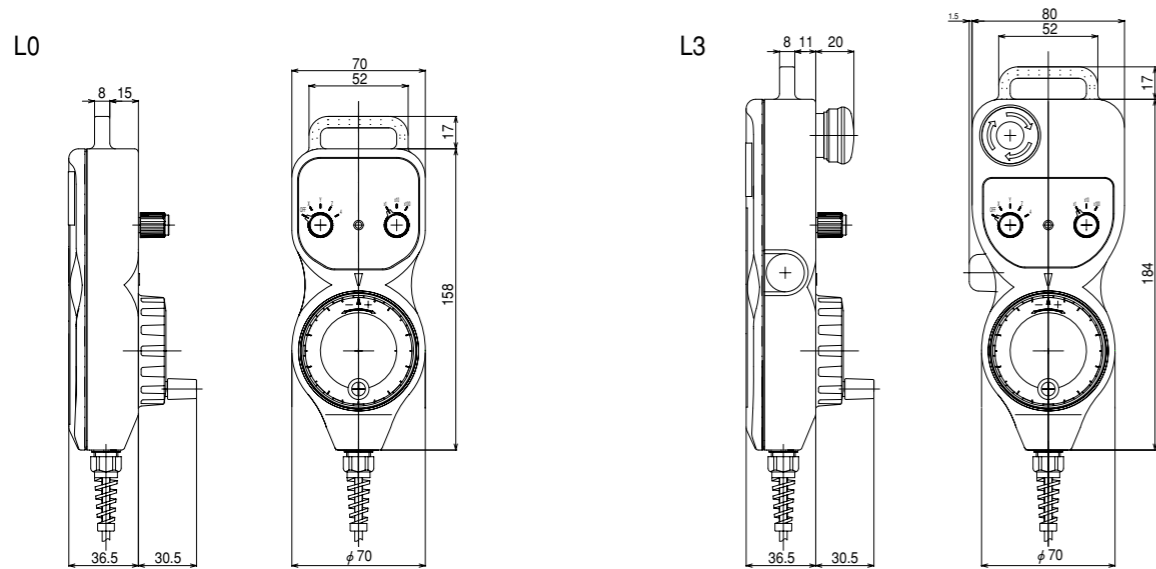


Model

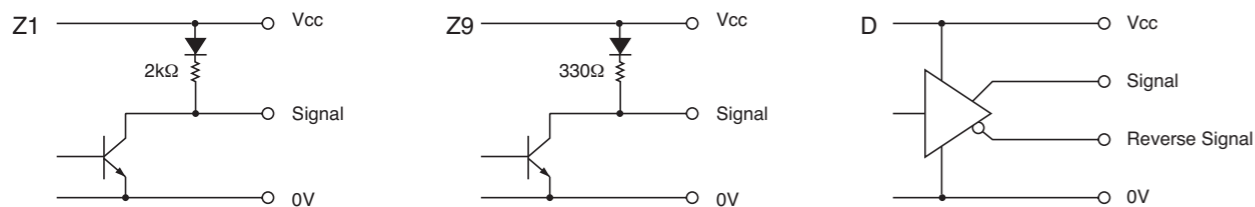
HP - U01 - 2 - P - - - - - 00E



External Dimension



Output Circuit



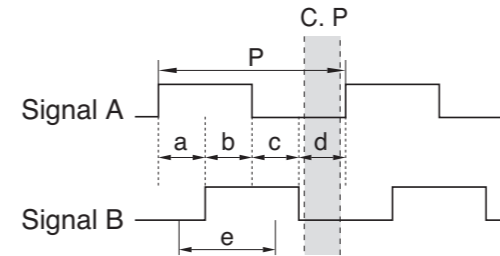
Electrical Spec

Manual Pulse Generator

TYPE	Z1	Z9	D
Power Supply(Vcc)	DC4.5~13.2V	DC5V±10%	DC5V±5%
Current Consumption	60mA Max	80mA Max	150mA Max
Resolution	100P/R		
Output Voltage	"H"	Vcc-1V Min	2.5V Min
	"L" *1	0.5V Max	
Maximum Frequency Response	5kHz		
Rise & Fall Time	1 μs Max		200ns Max
Maximum Sink Current	20 mA Max (As L level)		

*1) at Maximum Sink Current

Wave Form



$$P = \frac{1}{\text{Resolution}}$$

$$a, b, c, d = \frac{P}{4} \pm \frac{P}{6}$$

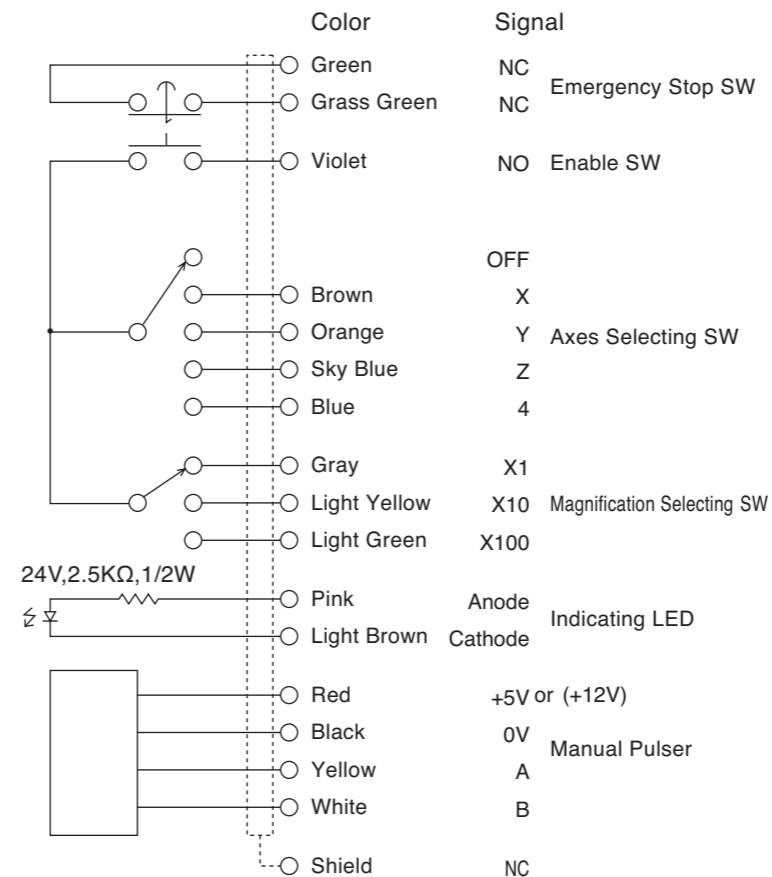
Wave Ratio (Duty): 50 ± 25(%)

C. P = Click Point

*1) Inverted Output is available for 2D type.

*2) Point "e" is recommended as the system switching timing.

Electrical Connections



Mechanical Spec

Starting Torque	1.96X10 ⁻² N·m~5.88X10 ⁻² N·m (at 20°C)	
Shaft Loading	Thrust	9.8N
	Radial	19.6N
Maximum Permissible Speed	200min ⁻¹	
Net Weight(Without Cable)	450g Max	

Environmental Spec

Operating Temperature	-10°C~+60°C
Storage Temperature	-20°C~+70°C
Humidity	RH 85% Max No Condensation
Vibration	10~55 Hz / 1.5mm X,Y,Z Each 2h
Shock	490m/s ² , 11ms X, Y, Z Each 3 times
Ingress Protection	IP65(for Box)