

MINIATURE TYPE

OME-N Model



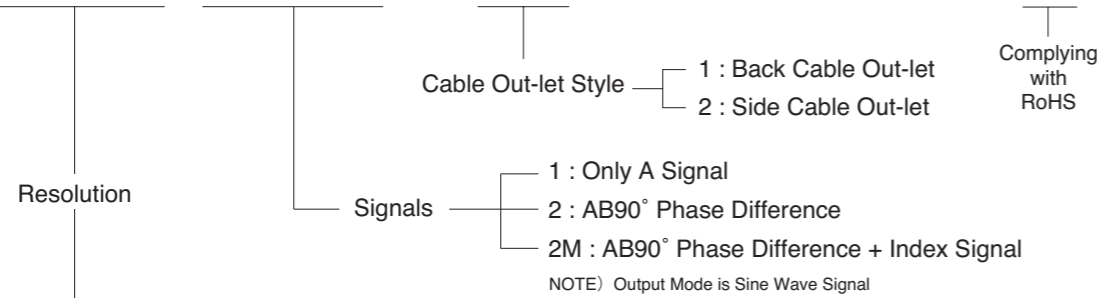
Miniature Model

- With Connector to Reduce Wiring Work.
- It has Z Signal of Datum Position.



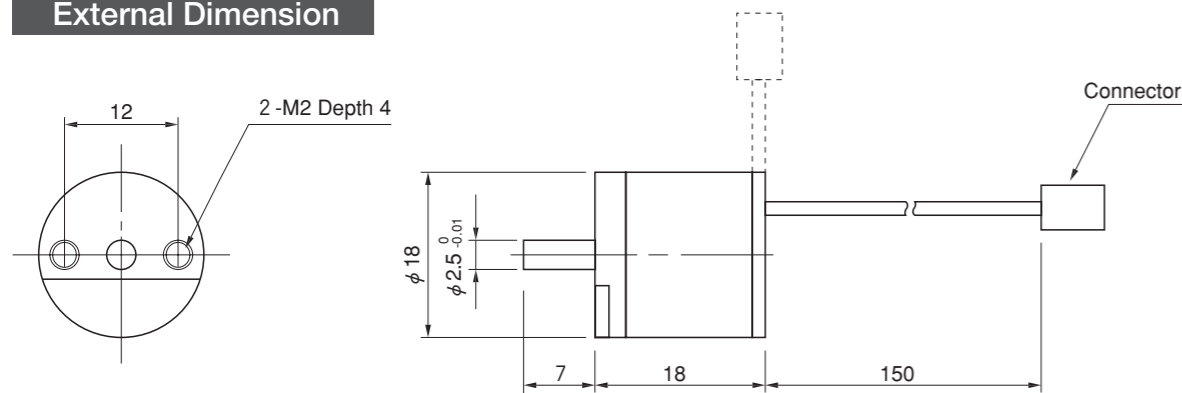
Model

OME- [] - [] - [] - [] N - [] 00-015-00E

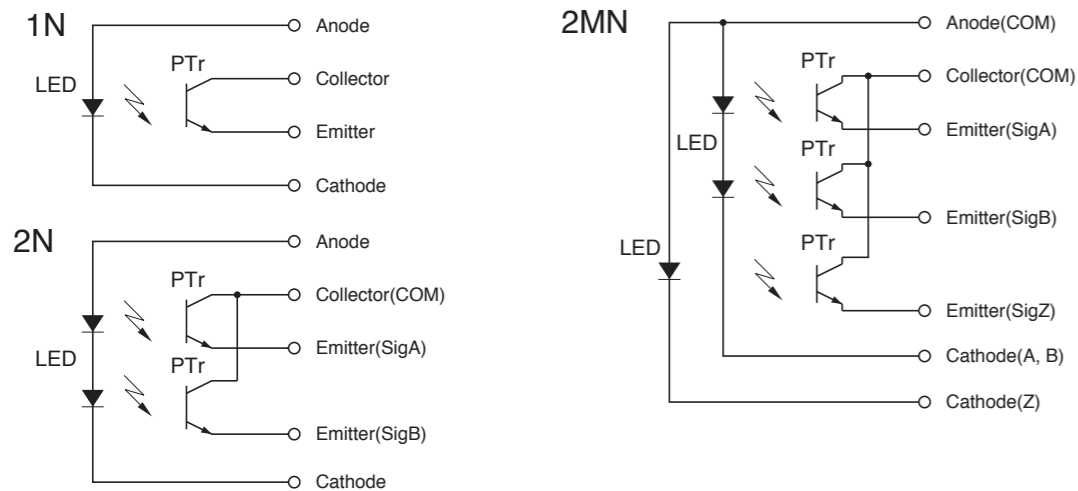


100	100P/R	200	200P/R	256	256P/R	360	360P/R
157	157P/R	250	250P/R	300	300P/R		

External Dimension



Output Circuit



Electrical Spec

TYPE	1N	2N	2MN
LED Current	IF = 26 mA Max		
Maximum Frequency Response	10 kHz		
Output Signal Amplitude	150 mVp-p Min		
Output Variation Amplitude (%)	40 % Max		

Max. Rating of Electronic Elements

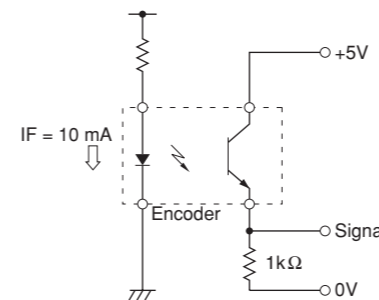
LED Light Emitting Diode

Forward Current	IF ; 60 mA
Reverse Voltage	VR ; 4 V
Power Dissipation	95 mW
Power Dissipation(25 to 70°C)	- 1.73 m W / °C

PTr Photo Transistor

Collector-Emitter Voltage	V _{CEO} ; 20 V
Emitter-Collector Voltage	V _{ECO} ; 5 V
Collector Current	I _c ; 20 mA
Collector Power Dissipation	P _c ; 75 mW
Power Dissipation(25 to 70°C)	- 1.0 m W / °C

Test Circuit



Mechanical Spec

Starting Torque	4.9×10 ⁻⁴ N·m Max	
Shaft Loading	Thrust	1.96N
	Radial	1.96N
Moment of Inertia	1×10 ⁻⁸ kg·m ²	
Maximum Permissible Speed	6000min ⁻¹	
Net Weight	20g Max	

Electrical Connections

1N Connector Hirose Electric Co., Ltd. DF3-4S-2C

Pin#	Color	Signal
1	Black	Anode
2	Brown	Cathode
3	Red	Collector
4	Orange	Emitter

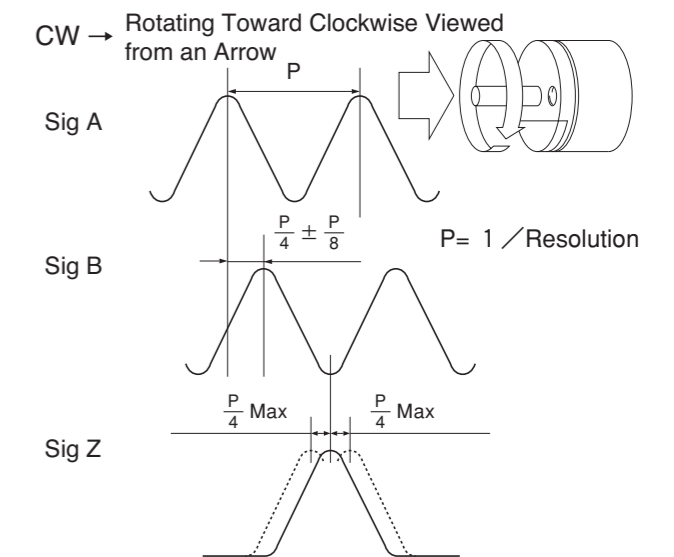
2N Connector Hirose Electric Co., Ltd. DF3-5S-2C

Pin#	Color	Signal
1	Black	Anode
2	Brown	Cathode
3	Red	Collector (COM)
4	Orange	Emitter (A)
5	Yellow	Emitter (B)

2MN Connector Hirose Electric Co., Ltd. DF3-7S-2C

Pin#	Color	Signal
1	Black	Anode (COM)
2	Brown	Cathode (A, B)
3	Red	Collector (COM)
4	Orange	Emitter (A)
5	Yellow	Emitter (B)
6	Green	Emitter (Z)
7	Blue	Cathode (Z)

Wave Form



Environmental Spec

Operating Temperature	0°C~+50°C
Storage Temperature	-20°C~+80°C
Humidity	RH 85% Max No Condensation
Vibration	10~55 Hz / 1.5mm X,Y,Z Each 2h
Shock	294m/s ² ,11ms X, Y, Z Each 3 times