

MANUAL TYPE

UFO Model



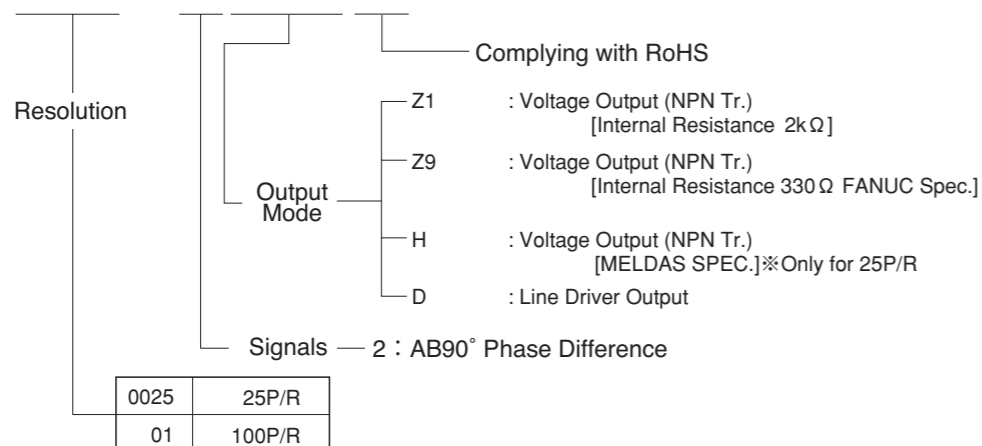
Compact & Very Thin

- Suitable for Thin Type Operator Panel.
- Click Mechanism.

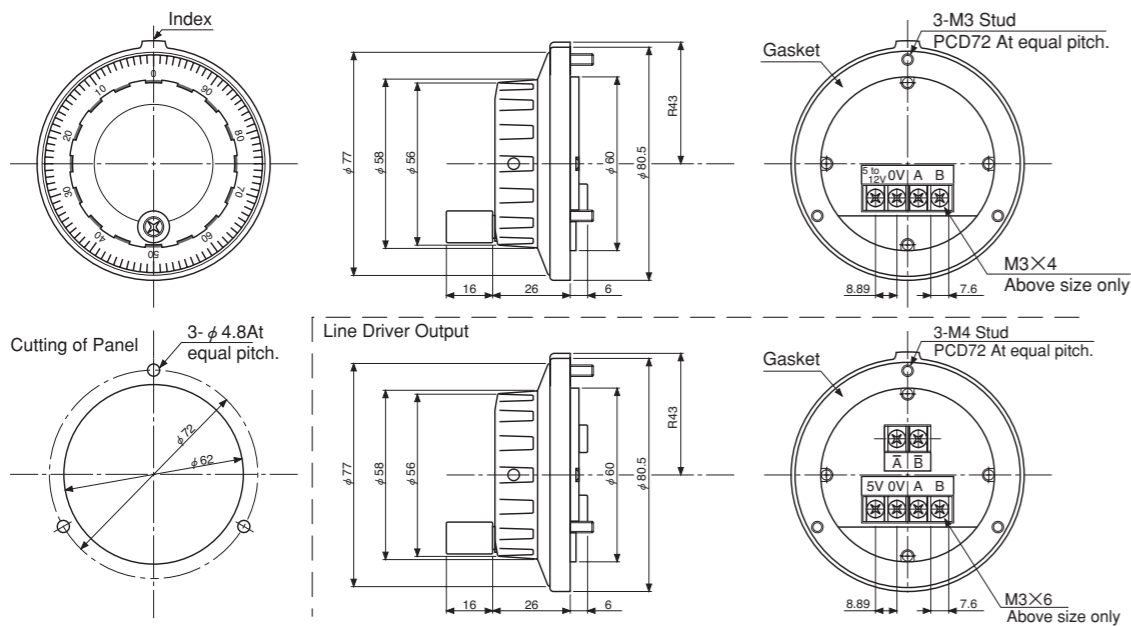


Model

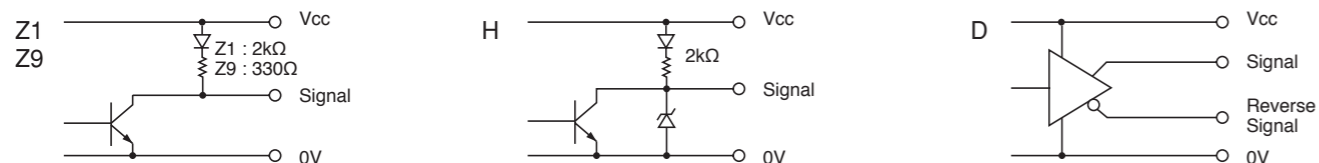
UFO-□□-2□□E



External Dimension



Output Circuit



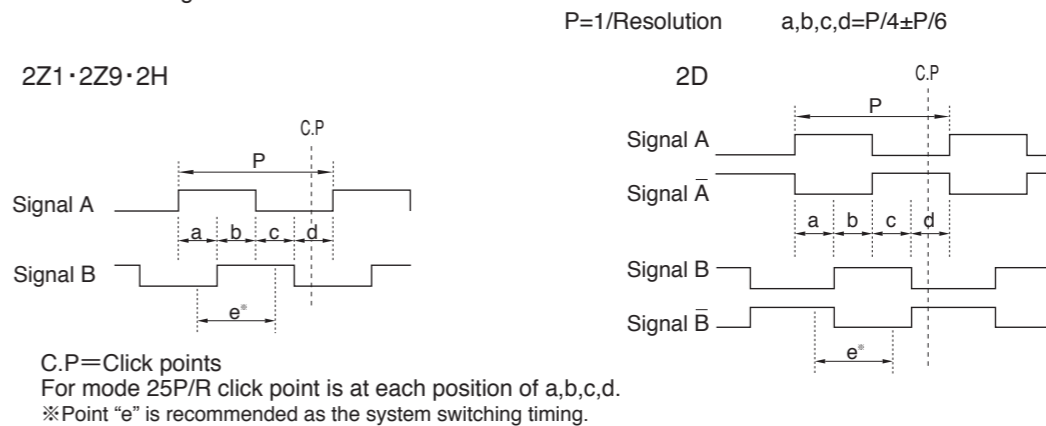
Electrical Spec

TYPE	Z1	Z9	H	D
Power Supply(Vcc)	DC+4.5V ~ +13.2V	DC+5V±10%	DC+12V±10%	DC+5V±5%
Current Consumption	50 mA Max	70 mA Max	50 mA Max	150 mA Max
Resolution	100P/R · 25P/R		25P/R	100P/R · 25P/R
Output Voltage	"H"	Vcc-1V Min	+5V±10%	2.5 V Min
	"L"※1	0.5 V Max		
Maximum Frequency Response	5 kHz			
Rise & Fall Time	1 μs Max		1.5 μs Max	200 ns Max
Maximum Sink Current	20 mA			

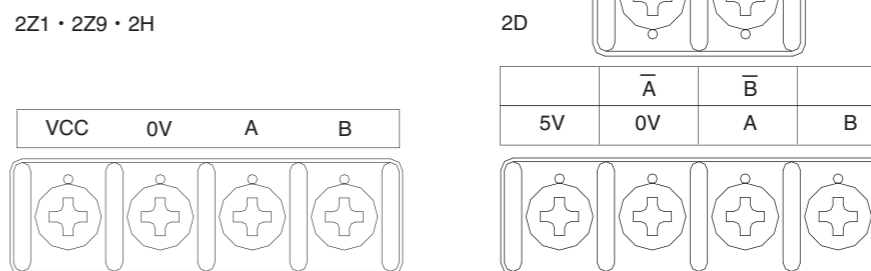
※1) at Maximum Sink Current

Wave Form

CW → Rotating Toward Clockwise Viewed from Front Side



Electrical Connections



Mechanical Spec

Starting Torque	1.96X10 ⁻² N·m~5.88X10 ⁻² N·m	
Shaft Loading	Thrust	9.8N
	Radial	19.6N
Maximum Permissible Speed	600min ⁻¹ (Instantaneous) 200min ⁻¹ (Continuous)	
Rotational Life	> 1 million rotations (200min ⁻¹)	
Net Weight	200g Max	

Environmental Spec

Operating Temperature	-10°C~+60°C
Storage Temperature	-20°C~+70°C
Humidity	RH 85% Max No Condensation
Vibration	10~55 Hz / 1.5mm X,Y,Z Each 2h
Shock	490m/s ² , 11ms X, Y, Z Each 3 times
Ingress Protection	IP64(Panel Mounting)