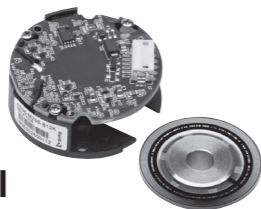


**ABSOLUTE TYPE**

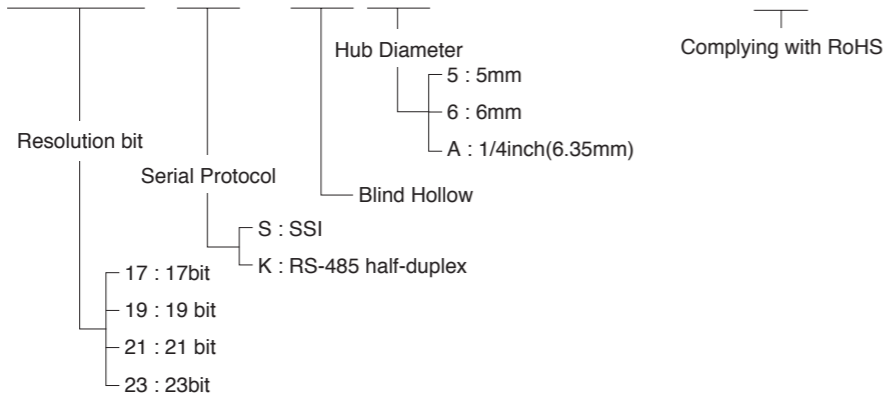
**N35ST** Model



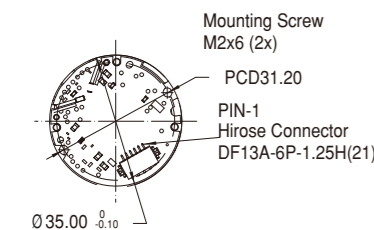
**23 bit Single turn**

- Module type
- Compact (φ35)

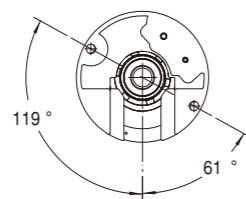
**Model**  
**N35ST- [ ] [ ] [ ] -B [ ] -000-00E**



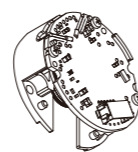
**Dimension**



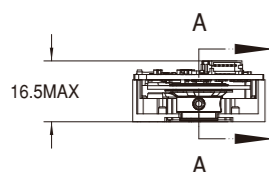
Front-1



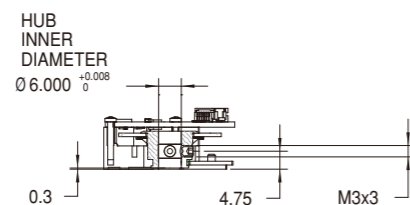
Back-1



Iso-1

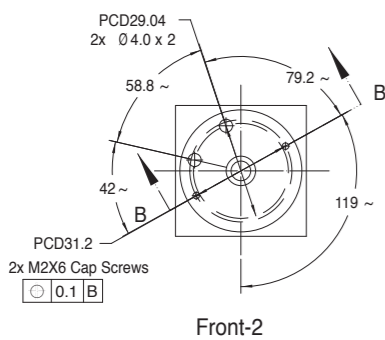


Side-1

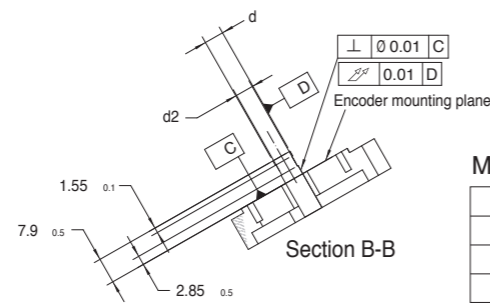


Section A-A

**Mounting**



Front-2



**Motor Shaft Spec.**

d (mm)	d2 (mm)
5 <sup>+0.004</sup> / <sub>-0.014</sub>	4.5±0.2
6 <sup>+0.004</sup> / <sub>-0.014</sub>	5.5±0.2
7 <sup>+0.004</sup> / <sub>-0.014</sub>	5.85±0.2

**Electrical Spec.**

Current Consumption	120mA Max (No load)
Supply Voltage	5V ± 0.5V
Electrically Permissible Speed	< 12000 min <sup>-1</sup>
Initialization Time	< 500 ms

**Mechanical Spec.**

System Accuracy (With electrical correction)	±300 Arc-sec (T <sub>amb</sub> = 25°C)	
Mechanical Permissible Speed	< 12000 min <sup>-1</sup>	
Shaft Play	Axial	≤ ±0.15 mm
	Radial	≤ ±0.05 mm

**Connection**

Pin No	SSI	RS-485
1	GND, Ground	GND, Ground
2	VCC, Encoder Supply	VCC, Encoder Supply
3	DOUT-	Data-
4	DOUT+	Data+
5	SCL-	NA
6	SCL+	NA

\*Recommended mating connector:

Hirose Part No : DF13-6S-1.25C (CL0536-0005-5-00)

Hirose (Terminal Pin for Wire 26~30AWG) : DF13-2630SCF (CL No.536-0300-5)

**Environmental Spec.**

Storage Temperature	- 40 to + 105°C
Operating Temperature	- 40 to + 105°C
Relative Air Humidity (Non-Condensing)	90%RH (T <sub>amb</sub> = 40°C)
Vibration	10G; 10 to 2000Hz
Shock	6ms; Half Sine; 200G
Electrostatic Discharge (Module level)	± 8kV (contact) ± 12kV (air)

**Data communication**

Interface	SSI		RS-485	
	Interface	Circuit	Interface	Circuit
Serial Clock(MA)	Transceiver(P/N:SN65LBC179Q)	Transceiver(P/N:SN65LBC179Q)	Serial Data(DATA+)	Transceiver(P/N:ISL8485E)
Serial Data(SLO)	Transceiver(P/N:SN65LBC179Q)	Transceiver(P/N:SN65LBC179Q)	Serial Data(DATA-)	Transceiver(P/N:ISL8485E)

[Note]

There are an Alignment Fixture and a Phase calibration kit (Biss-C or RS-485) available separately.

Please contact our Sales for inquiries about this product of details.