

HANDY PENDANT

HP-U Model



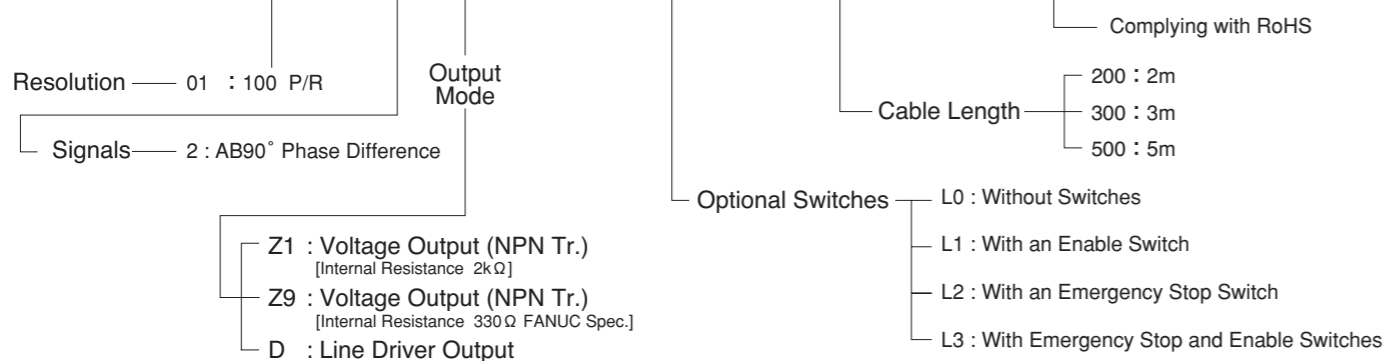
Economical Palm Size Model

- Low Cost Plastic Box Type.
- Comfortable Size for Hand.

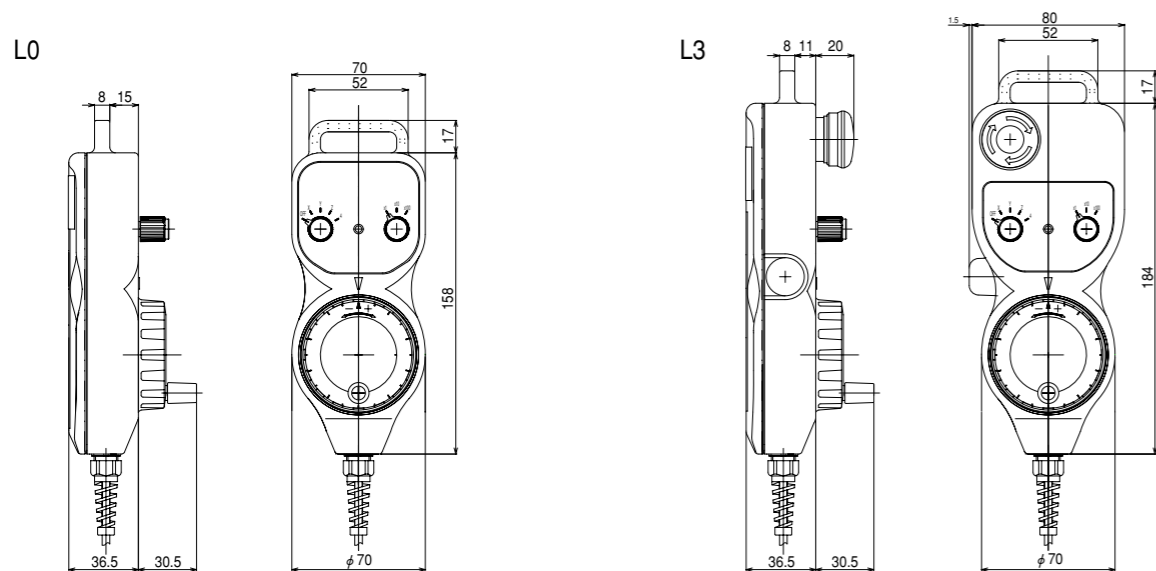


Model

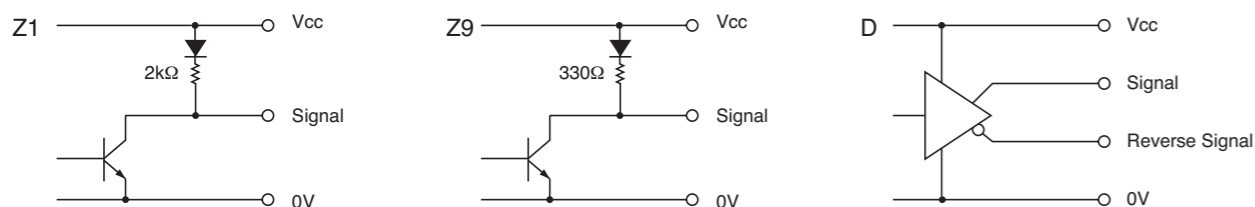
HP - U01 - 2 - P - - - - - 00E



External Dimension



Output Circuit



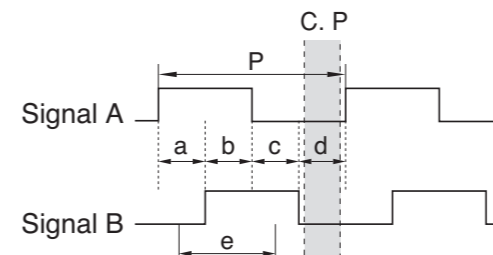
Electrical Spec

Manual Pulse Generator

| TYPE | Z1 | Z9 | D |
|----------------------------|------------------------|------------|-----------|
| Power Supply(Vcc) | DC4.5~13.2V | DC5V±10% | DC5V±5% |
| Current Consumption | 60mA Max | 80mA Max | 150mA Max |
| Resolution | 100P/R | | |
| Output Voltage | "H" | Vcc-1V Min | 2.5V Min |
| | "L" *1 | 0.5V Max | |
| Maximum Frequency Response | 5kHz | | |
| Rise & Fall Time | 1 μs Max | 200ns Max | |
| Maximum Sink Current | 20 mA Max (As L level) | | |

*1) at Maximum Sink Current

Wave Form



$$P = \frac{1}{\text{Resolution}}$$

$$a, b, c, d = \frac{P}{4} \pm \frac{P}{6}$$

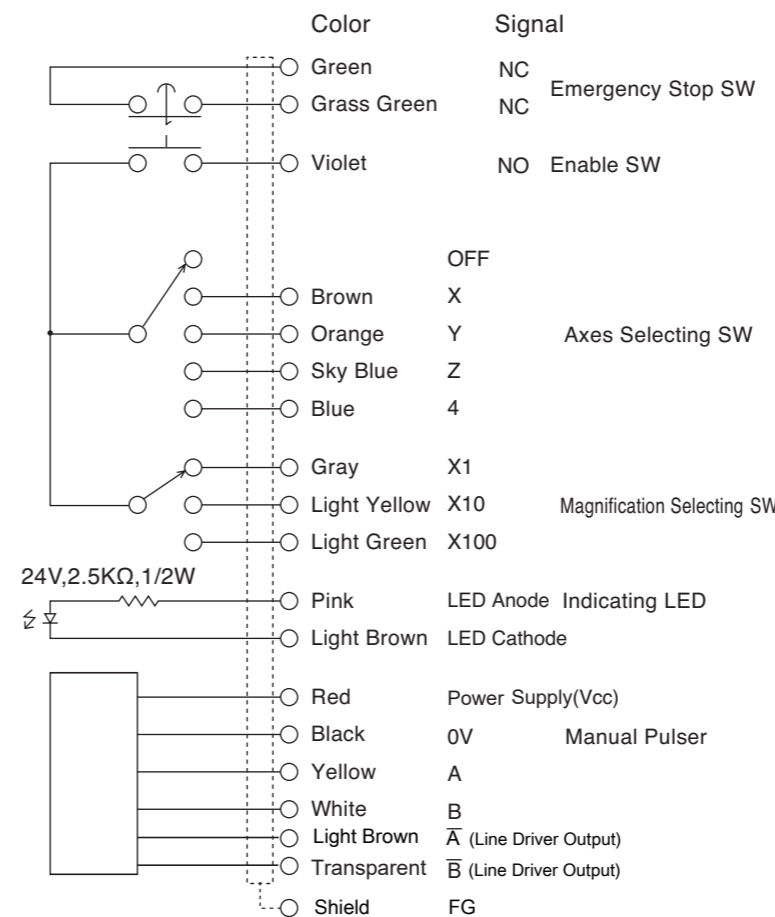
Wave Ratio (Duty): 50 ± 25(%)

C. P = Click Point

*1) Inverted Output is available for 2D type.

*2) Point "e" is recommended as the system switching timing.

Electrical Connections



Mechanical Spec

| | |
|---------------------------|--|
| Starting Torque | 1.96X10 ⁻² N·m~5.88X10 ⁻² N·m (at 20°C) |
| Shaft Loading | Thrust |
| | Radial |
| Maximum Permissible Speed | 200min ⁻¹ |
| Net Weight(Without Cable) | 450g Max |

Environmental Spec

| | |
|-----------------------|---|
| Operating Temperature | -10°C~+60°C |
| Storage Temperature | -20°C~+70°C |
| Humidity | RH 85% Max No Condensation |
| Vibration | 10~55 Hz / 1.5mm X,Y,Z Each 2h |
| Shock | 490m/s ² , 11ms X, Y, Z Each 3 times |
| Ingress Protection | IP65(for Box) |