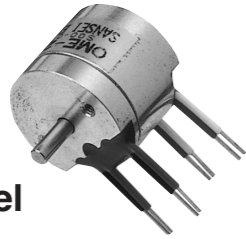


MINIATURE TYPE

OME-T Model



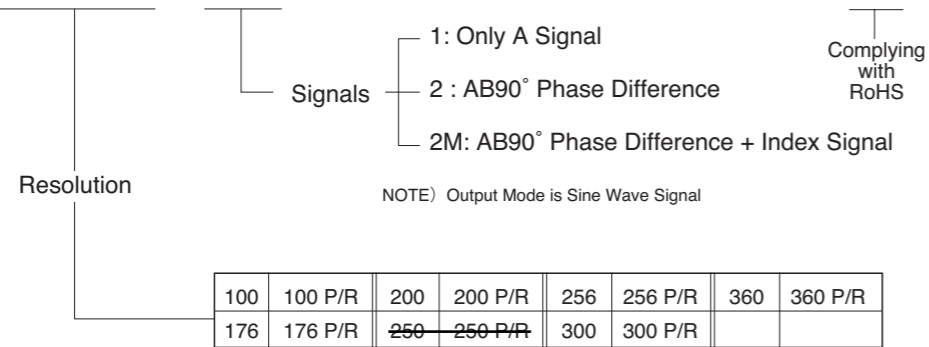
Miniature Model

- It has Z Signal of Datum Position.
- Micro Encoder  $\phi 18\text{mm}$  / Shaftdia :  $\phi 2.5\text{mm}$ .

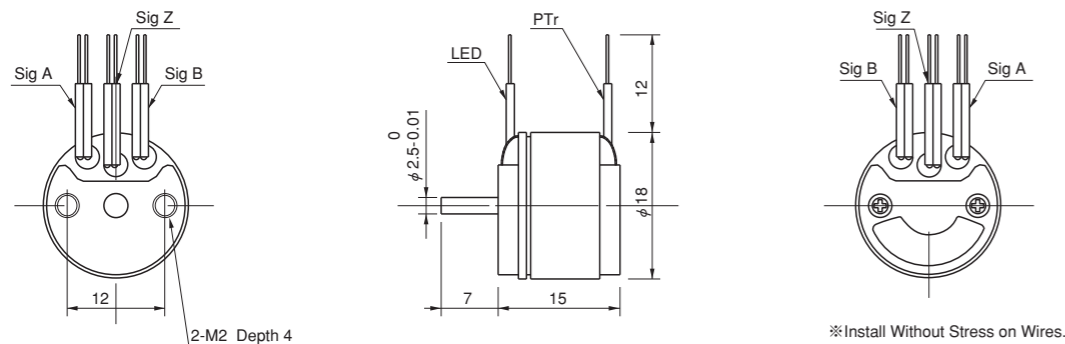


Model

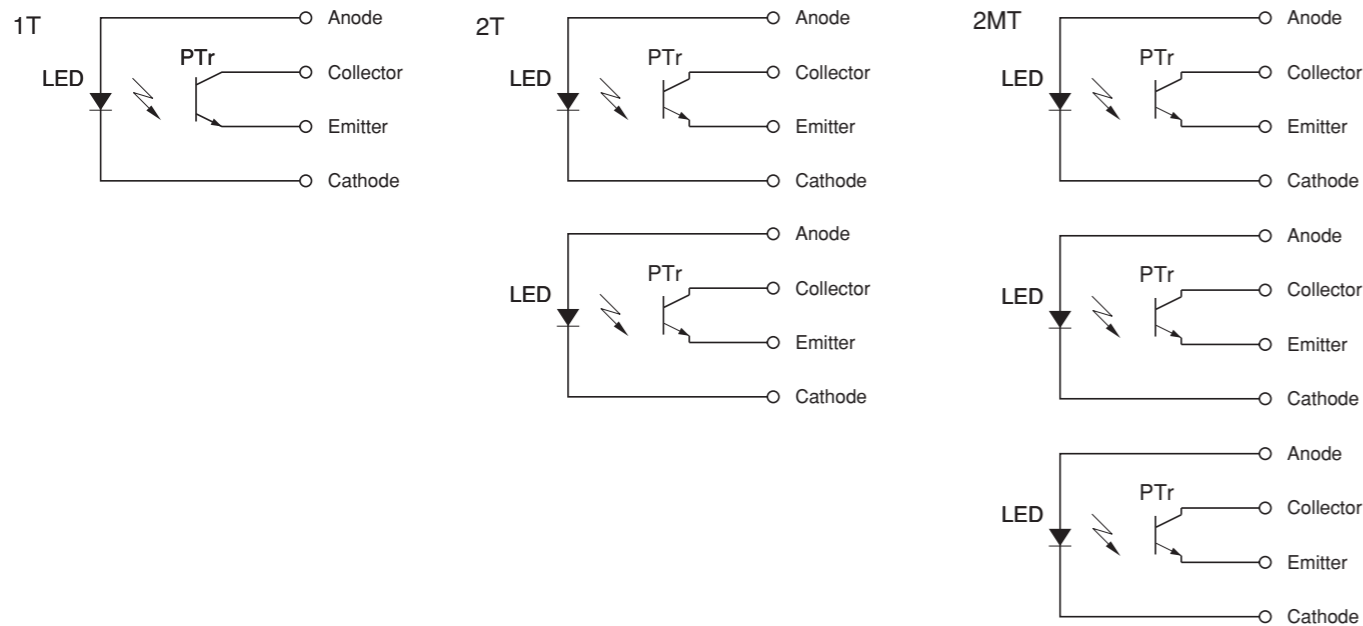
OME- [ ] - [ ] - [ ] T-070-000-00E



External Dimension



Output Circuit



Electrical Spec

TYPE	1T	2T	2MT
LED Current	IF = 26 mA Max		
Maximum Frequency Response	10 kHz		
Output Signal Amplitude	150 mVp-p Min		
Output Variation Amplitude (%)	40 % Max		

Electrical Connections

Color	Signal
Red	Anode
Black	Cathode
Blue	Collector
White	Emitter

Max. Rating of Electronic Elements

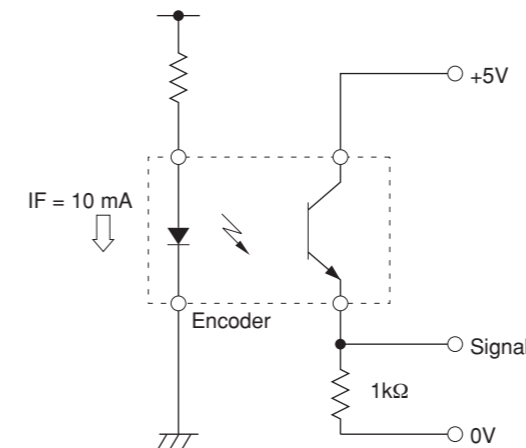
LED Light Emitting Diode

Forward Current	IF ; 60 mA
Reverse Voltage	VR ; 4 V
Power Dissipation	95 mW
Power Dissipation(25 to 70°C)	- 1.73 m W / °C

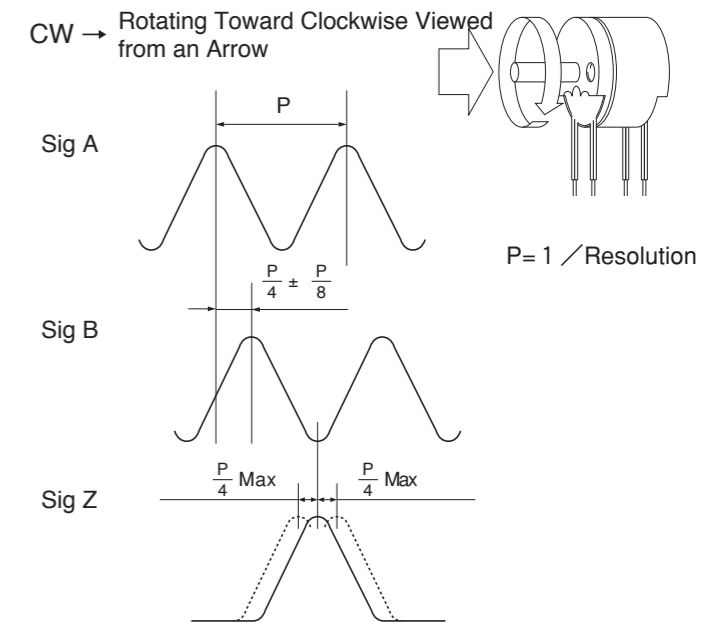
PTr Photo Transistor

Collector-Emitter Voltage	V <sub>CEO</sub> ; 20 V
Emitter-Collector Voltage	V <sub>ECO</sub> ; 5 V
Collector Current	I <sub>c</sub> ; 20 mA
Collector Power Dissipation	P <sub>c</sub> ; 75 mW
Power Dissipation(25 to 70°C)	- 1.0 m W / °C

Test Circuit



Wave Form



Mechanical Spec

Starting Torque	4.9×10 <sup>-5</sup> N·m Max	
Shaft Loading	Thrust	1.96N
	Radial	1.96N
Moment of Inertia	1×10 <sup>-8</sup> kg·m <sup>2</sup>	
Maximum Permissible Speed	6000min <sup>-1</sup>	
Net Weight	25g Max	

Environmental Spec

Operating Temperature	0°C~+50°C
Storage Temperature	- 20°C~+80°C
Humidity	RH 85% Max No Condensation
Vibration	10~55 Hz / 1.5mm X,Y,Z Each 2h
Shock	294m/s <sup>2</sup> , 11ms X, Y, Z Each 3 times