

NEMICON
ABSOLUTE TYPE

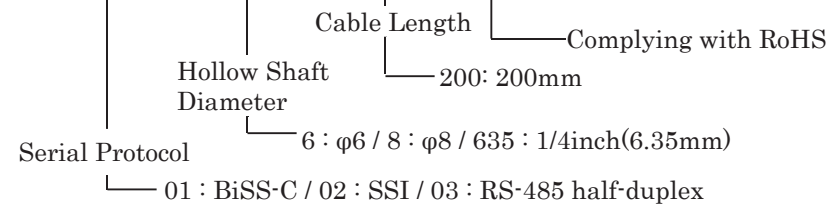
38HA-MS Series



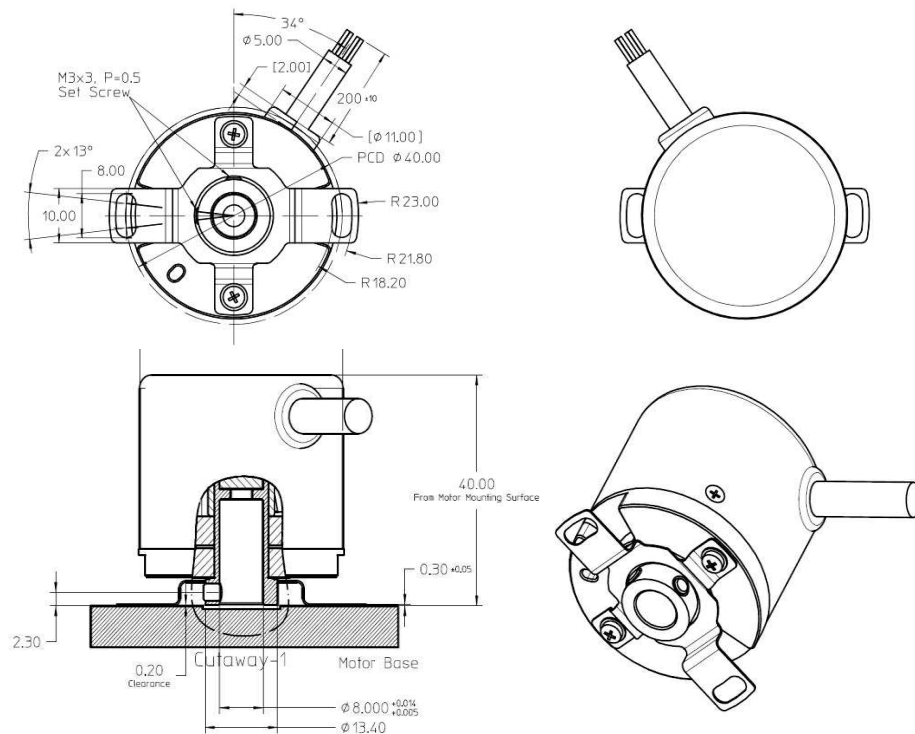
- Battery less
39bit Multi turn
- Housed encoder
- Hollow Shaft

Model

38HA-MS □ □ - □ □ □ - **200-00E**

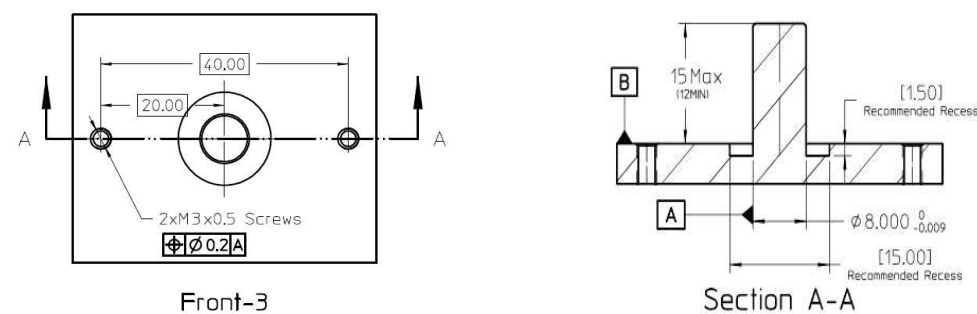


Dimension



Mounting

Example φ8



Electrical Spec.

Resolution	Multi turn: 16bit Single turn: 23bit
Current Consumption	115mA Typ. (No load)
Supply Voltage	5V ± 0.5V
Electrically Permissible Speed	< 6000 min ⁻¹
Initialization Time	< 500 ms

Mechanical Spec.

System Accuracy (With electrical correction)	±80 Arc-sec (T _{amb} = 25°C)
Mechanical Permissible Speed	< 6000 min ⁻¹
Shaft Play	≤±0.05 mm(Radial) ≤±0.1 mm(Axial)
Starting torque	≤9.8x10 ⁻³ N·m T _{amb} = 25°C
Weight	0.047 kg (±10%)

Environmental Spec.

Storage Temperature	-20 to 105 °C
Operating Temperature	-20 to 105 °C
Relative Air Humidity (Non-Condensing)	90%RH (T _{amb} = 40°C)
Vibration	10G; 10 to 2000Hz
Shock	6ms; Half Sine; 200G
Protection	IP50

Connection

No	Cable Color	BiSS-C (7 core cable)	SSI (7 core cable)	RS-485 (5 core cable)
1	RED	VCC, Encoder Supply	VCC, Encoder Supply	VCC, Encoder Supply
2	BLACK	GND, Ground	GND, Ground	GND, Ground
3	BROWN	MA+	SCL+	DATA+
4	WHITE	MA-	SCL-	DATA-
5	ORANGE	SLO+	DOU+	N/A
6	BLUE	SLO-	DOU-	N/A
7	Cable Shield	Cable Shield	Cable Shield	Cable Shield

Note: Cable provided is 200mm +/- 10mm (included pigtail length) with AWG28.

Data communication

BiSS-C / SSI		RS-485	
Interface	Circuit	Interface	Circuit
Serial Clock(MA)	Transceiver(P/N:SN65LBC179Q)	Serial Data(DATA+)	Transceiver(P/N:ISL8485E)
Serial Data(SLO)	Transceiver(P/N:SN65LBC179Q)	Serial Data(DATA-)	Transceiver(P/N:ISL8485E)

[Note]

Please contact our Sales for inquiries about this product of details.