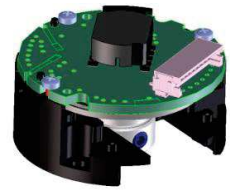


NEMICON
ABSOLUTE TYPE

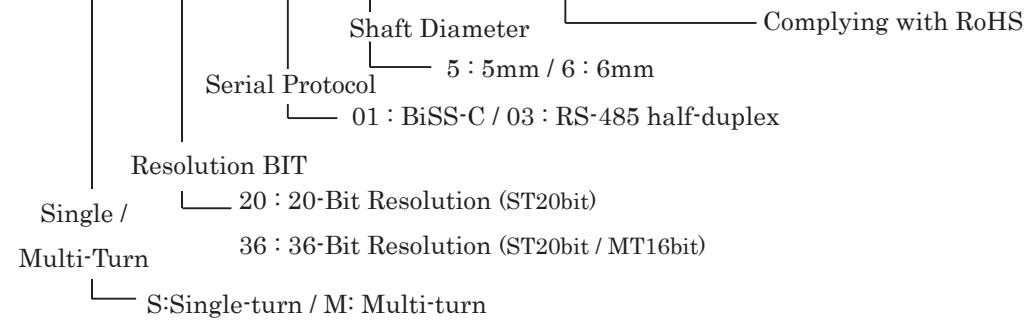
N35MA Series



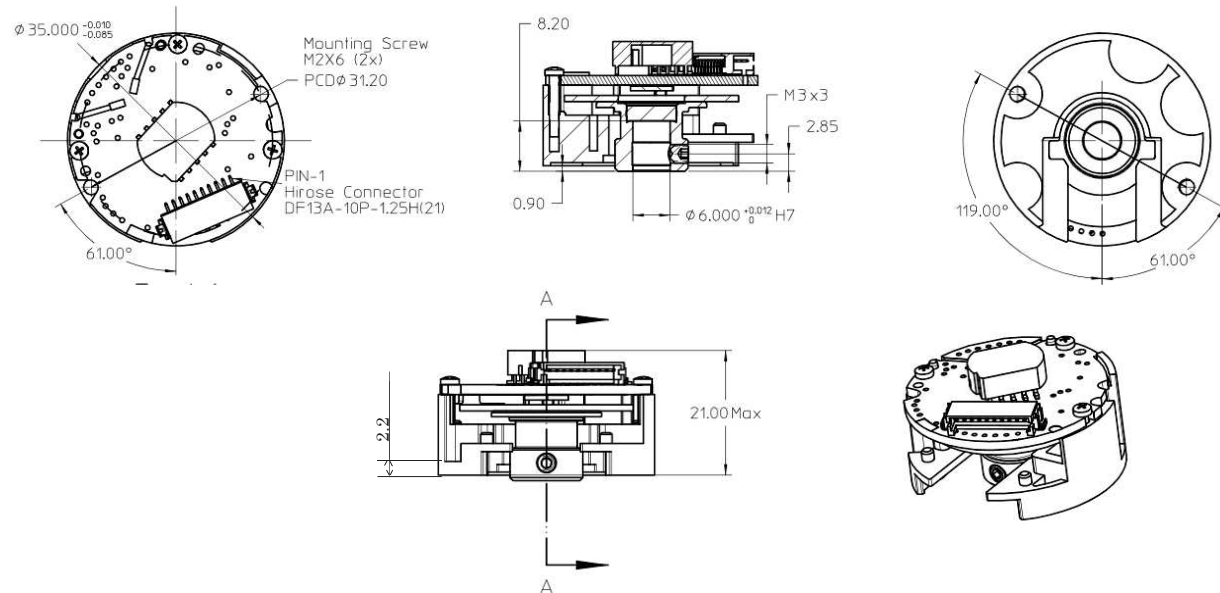
- Battery less
Multi turn
- Module type
- Compact (φ35)

Model

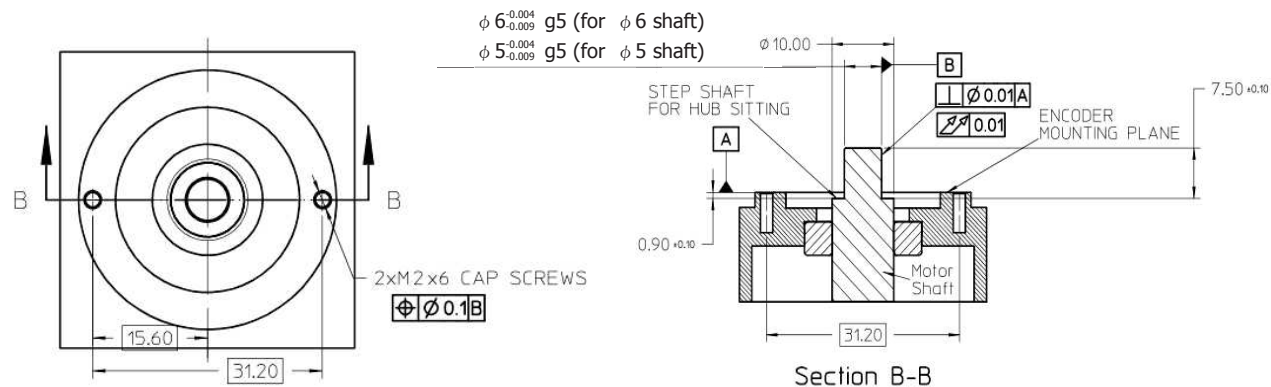
N35MA-□ □ □ - □ □ - □ □ - 000-00E



Dimension



Mounting



Electrical Spec.

| | |
|--------------------------------|---------------------------|
| Current Consumption | 200mA Max (No load) |
| Supply Voltage | 5V ± 0.5V |
| Electrically Permissible Speed | < 10000 min ⁻¹ |
| Initialization Time | < 500 ms |

Mechanical Spec.

| | |
|--|---|
| System Accuracy (With electrical correction) | ±120 Arc-sec (T _{amb} = 25°C) |
| Mechanical Permissible Speed | < 10000 min ⁻¹ |

Environmental Spec.

| | |
|--|---------------------------------|
| Storage Temperature | -20 to 105 °C |
| Operating Temperature | -20 to 105 °C |
| Relative Air Humidity (Non-Condensing) | 90%RH (T _{amb} = 60°C) |
| Vibration | 10G; 10 to 2000Hz |
| Shock | 6ms; Half Sine; 200G |
| Electrostatic Discharge (Module level) | 2kV |

Connection

| Pin | BiSS-C | RS-485 |
|-----|----------------------------|----------------------------|
| 1 | VCC, Encoder Supply | VCC, Encoder Supply |
| 2 | GND, Ground | GND, Ground |
| 3 | MA+ | DATA+ |
| 4 | MA- | DATA- |
| 5 | SLO+ | Phase Calibration Signal 1 |
| 6 | SLO- | Phase Calibration Signal 2 |
| 7 | Phase Calibration Signal 1 | Phase Calibration Signal 3 |
| 8 | Phase Calibration Signal 2 | Phase Calibration Signal 4 |
| 9 | Phase Calibration Signal 3 | N/A |
| 10 | Phase Calibration Signal 4 | N/A |

*Recommended mating connector:
 Hirose Part No: DF13-10S-1.25C (CL No.536-0006-8)
 Hirose (Terminal Pin for Wire 26~30AWG): DF13-2630SCF (CL No.536-0300-5)

Data communication

| Interface | BiSS-C | | RS-485 | |
|------------------|------------------------------|--------------------|----------------------------|---------|
| | Interface | Circuit | Interface | Circuit |
| Serial Clock(MA) | Transceiver(P/N:SN65LBC179Q) | Serial Data(DATA+) | Transceiver(P/N:ISL8485SE) | |
| Serial Data(SLO) | Transceiver(P/N:SN65LBC179Q) | Serial Data(DATA-) | Transceiver(P/N:ISL8485SE) | |

[Note]
 There are an Alignment Fixture and a Phase calibration kit (Biss-C or RS-485) available separately.
 Please contact our Sales for inquiries about this product of details.