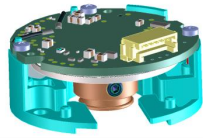


NEMICON
ABSOLUTE TYPE

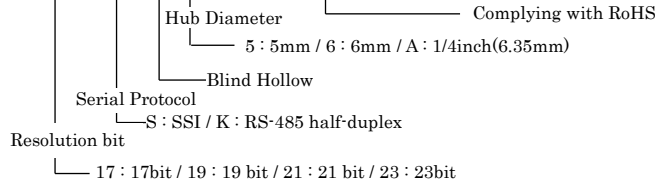


- 23 bit Single turn
- Module type
- Compact (φ35)

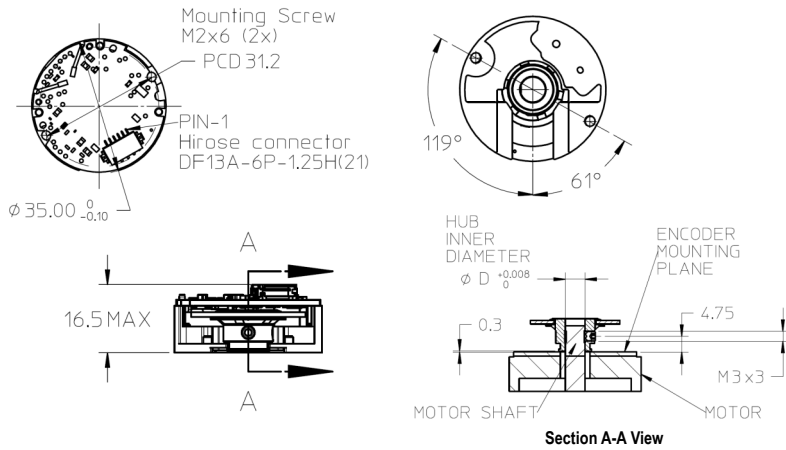
N35ST Series

Model

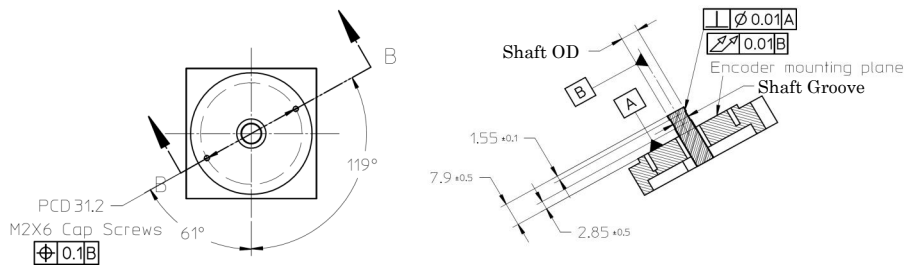
N35ST - □ □ □ - B □ - 000-00E



Dimension



Mounting



Electrical Spec.

Current Consumption	120mA Max (No load)
Supply Voltage	5V ± 0.5V
Electrically Permissible Speed	< 12000 min ⁻¹
Initialization Time	< 500 ms

Mechanical Spec.

System Accuracy (With electrical correction)	±300 Arc-sec (T _{amb} = 25°C)
Mechanical Permissible Speed	< 12000 min ⁻¹
Shaft Play	≤ ±0.05 mm(Radial) ≤ ±0.15 mm(Axial)

Environmental Spec.

Storage Temperature	-40 to 105 °C
Operating Temperature	-40 to 105 °C
Relative Air Humidity (Non-Condensing)	90%RH (T _{amb} = 40°C)
Vibration	10G; 10 to 2000Hz
Shock	6ms; Half Sine; 200G
Electrostatic Discharge (Module level)	± 8kV (contact) ± 12kV (air)

Motor Shaft Spec.

Shaft OD & Tolerance (mm)	Shaft Groove & Tolerance (mm)
5 ^{-0.014} _{-0.004}	4.5±0.2
6 ^{-0.014} _{-0.004}	5.5±0.2
6.35 ^{-0.014} _{-0.004}	5.85±0.2

Connection

Pin	SSI	RS-485
1	GND, Ground	GND, Ground
2	VCC, Encoder Supply	VCC, Encoder Supply
3	DOUT -	Data -
4	DOUT+	Data +
5	SCL -	NA
6	SCL+	NA

*Recommended mating connector:
 Hirose Part No: DF13-6S-1.25C (CL0536-0005-5-00)
 Hirose (Terminal Pin for Wire 26-30AWG): DF13-2630SCF (CL No.536-0300-5)

Data communication

SSI		RS-485	
Interface	Circuit	Interface	Circuit
Serial Clock(MA)	Transceiver(P/N:SN65LBC179Q)	Serial Data(DATA+)	Transceiver(P/N:ISL8485E)
Serial Data(SLO)	Transceiver(P/N:SN65LBC179Q)	Serial Data(DATA-)	Transceiver(P/N:ISL8485E)

[Note]
 There are an Alignment Fixture and a Phase calibration kit (SSI or RS-485) available separately.
 Please contact our Sales for inquiries about this product of details.